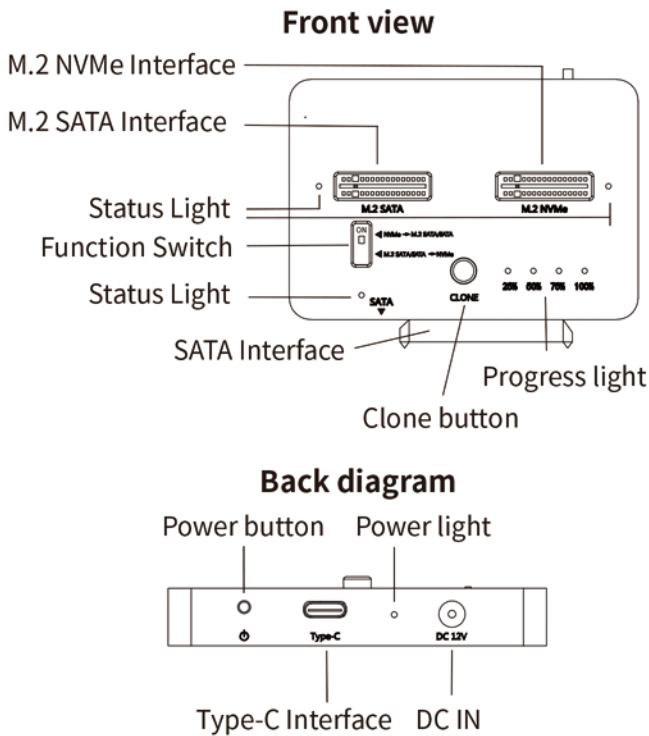


M.2 SSD/SATA HDD Dual Bay Docking Station Quick User Guide

1. Overall Product Diagram

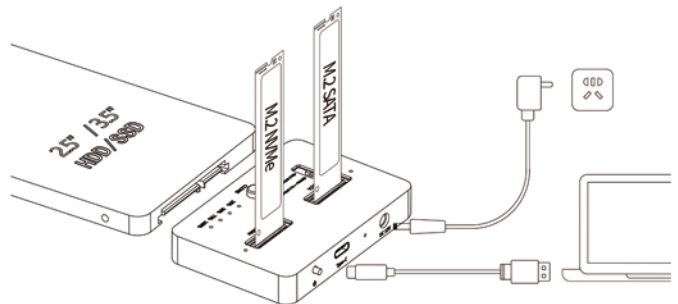


2. Plug in the power adapter.

3. Press the Power button.

4. Wait for the hard disk status indicator light blue, long press the "Clone" button, until the four percent of the indicator light blinking when you let go, before the light does not go out, press again, 25% of the indicator light will begin to blink separately, indicating that the cloning process has begun. The 25% indicator light will start blinking separately, indicating that cloning has started, and the 25% light is always on during the copy process. The 50% light will blink to indicate that 25% has been completed, in order until 100% light is also on. When the four progress lights are on at the same time, it means that the cloning is complete, The hard drive can be removed after the power switch is turned off.

3. Operation instructions (SSD Read/Write)



1. Plug the hard drive into the corresponding interface, connect the hard drive dock to the computer with the data cable, Connect the power source and press the power button on the back of the hard drive dock.

2. The status indicator on the hard drive dock will light up blue after press the power button, and the blue indicator will flash when there is data to read.

3. Open "My Computer" on your computer to see the drive's disk letter, double-click the disk letter to open the hard disk to read the data.

4. The first time a new hard drive is used, it needs to be formatted and newly partitioned before the computer can recognize it.

Note: When both M.2 SATA and SATA interfaces are plugged into the hard drive, only the SATA interface will be read hard disk

2. Operation Instructions (offline clone)

1. Plug the hard drive into the corresponding interface and move the Function switch to "ON", NVMe is the source drive and M.2 SATA or SATA is the target drive.

Move the Function Switch to the other end of "ON", M.2 SATA or SATA is the source drive and NVMe is the target drive.

Note:

① M.2 SATA and SATA hard disk plugged in at the same time, will only read the SATA interface

② The capacity of the target disk must be greater than or equal to the source disk

③ Function switch must be turned to the end to avoid misoperation

④ Please make a good data backup before cloning, and confirm the source and target disk

